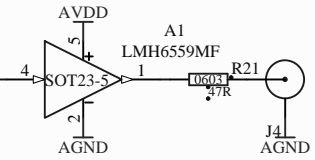
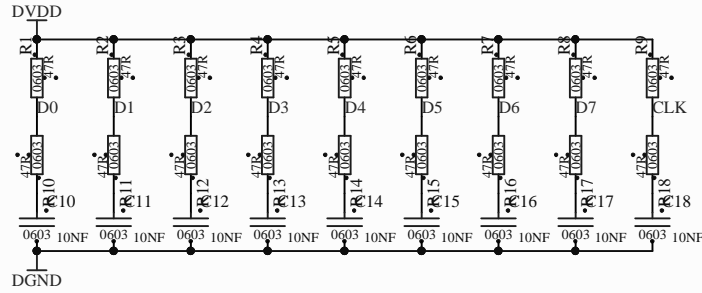
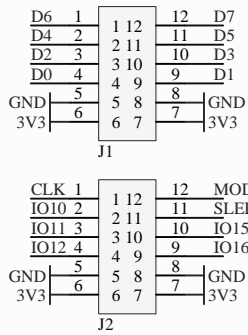


1

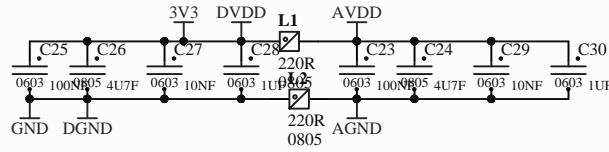
2

3

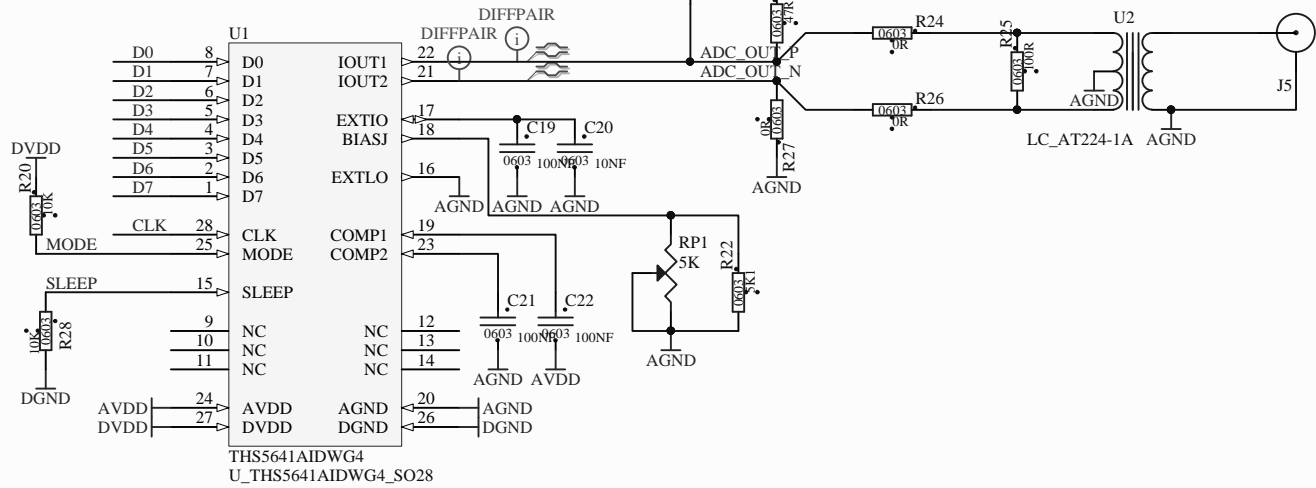
4



B



Warning! If signals MODE and SLEEP are not used, respective pins should be set as Hi-Z



C

D



D

Title *			* Cannot open file D:\Mateusz\Projekty\Kowalik\Lab\ID
Drawn By: *	Approved By: *	Rev: Not in version control	
Date: 2020-05-15	Time: 11:17:25	Sheet* of*	
File: D:\My_Projects\Dydaktyka\PMOD_DAC\PMOD_DAC\PMOD2.SchDoc			

1

2

3

4